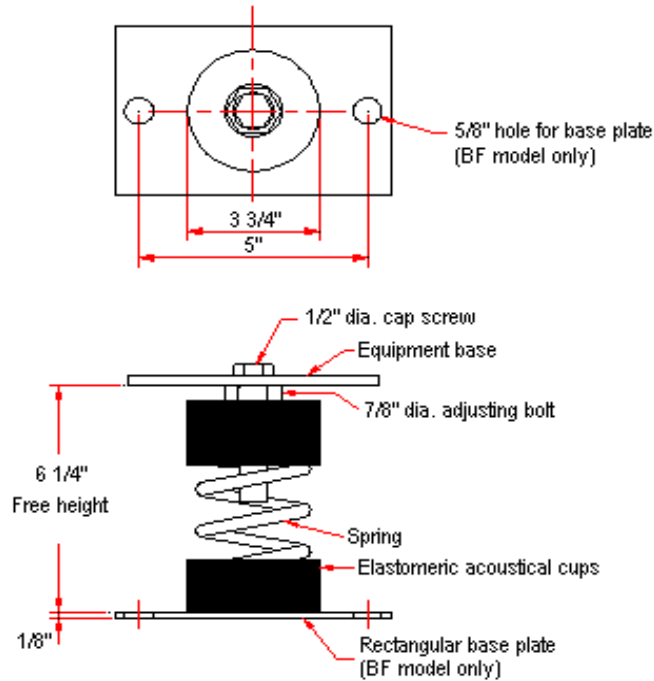
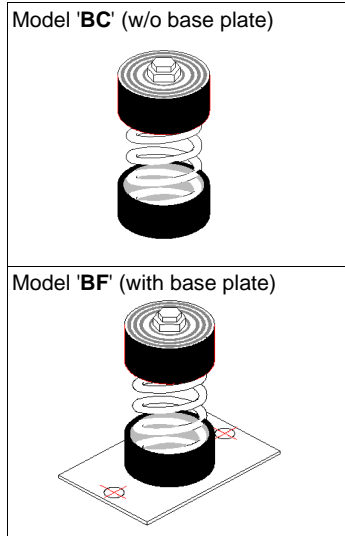


VIBRATION MANAGEMENT CORPORATION

3532-A EAST TC JESTER , BROOKWOOD BUSINESS PARK , HOUSTON , TEXAS 77018 , U.S.A

INTERNET ADDRESS: www.vimco.biz



N.T.S

NOTES

1. Isolators have a min. operating Kx/Ky ratio of 1.0
2. Springs have 50% additional travel to solid beyond rated load.
3. Isolators should be selected in the range of -30% to +25% of rated load.
4. Consult spring chart for isolator performance data.

FEATURES

- * Large diameter laterally stable springs
- * Weld-free construction
- * Anti-skid elastomeric acoustical cup
- * Built-in leveling device
- * Spring elements color-coded for easy field verification

ISOLATOR MODEL	RATED LOAD (lbs)	SOLID LOAD (lbs)	OPERATING LOAD RANGE (lbs)
BC-133	433	650	304 - 541
BC-133-101	478	717	335 - 597
BC-133-102	498	748	349 - 622
BC-133-103	529	794	371 - 661
BC-133-104	560	841	392 - 700
BC-133-105	632	948	443 - 790
BC-133-106	667	1001	467 - 833
BC-134	708	1062	496 - 885
BC-134-101	712	1068	499 - 890
BC-134-102	732	1098	513 - 915
BC-134-103	763	1145	535 - 953
BC-134-104	794	1192	556 - 992
BC-133-107	800	1200	560 - 1000
BC-134-105	866	1299	607 - 1082
BC-133-108	933	1400	654 - 1166
BC-134-106	942	1413	660 - 1177
BC-133-109	994	1491	696 - 1242
BC-134-107	1034	1551	724 - 1292
BC-133-110	1127	1691	789 - 1408
BC-134-108	1167	1751	817 - 1458
BC-134-109	1206	1810	845 - 1507
BC-133-111	1260	1891	882 - 1575
BC-134-110	1340	2010	938 - 1675
BC-133-112	1394	2091	976 - 1742
BC-134-111	1473	2210	1032 - 1841
BC-134-112	1606	2410	1125 - 2007

<u>Notes / Remarks :</u>	<u>Project</u> :	Title : BC / BF Free-standing Spring Mount Rubber Cup Construction (1" deflection)	<u>Drawing no.</u>
	<u>Client</u> :		S-2025.03
	<u>Consultant</u> :		Rev. ME-2
	<u>Representative</u> :		