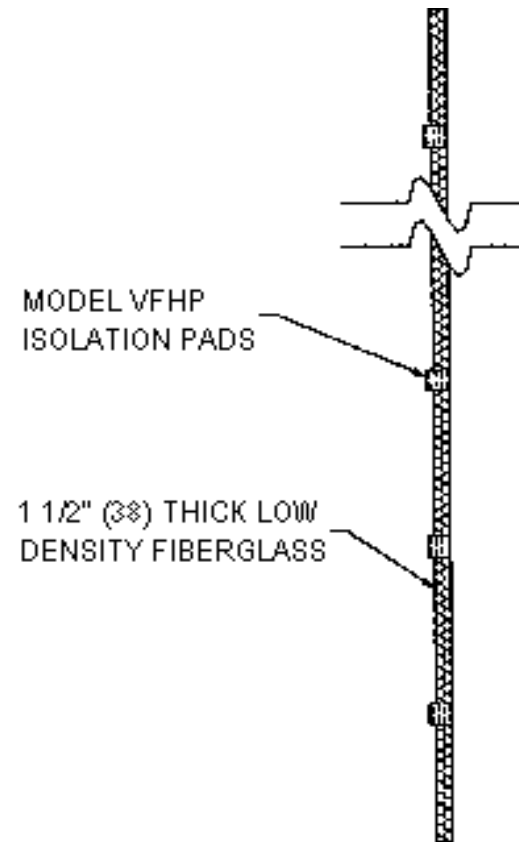
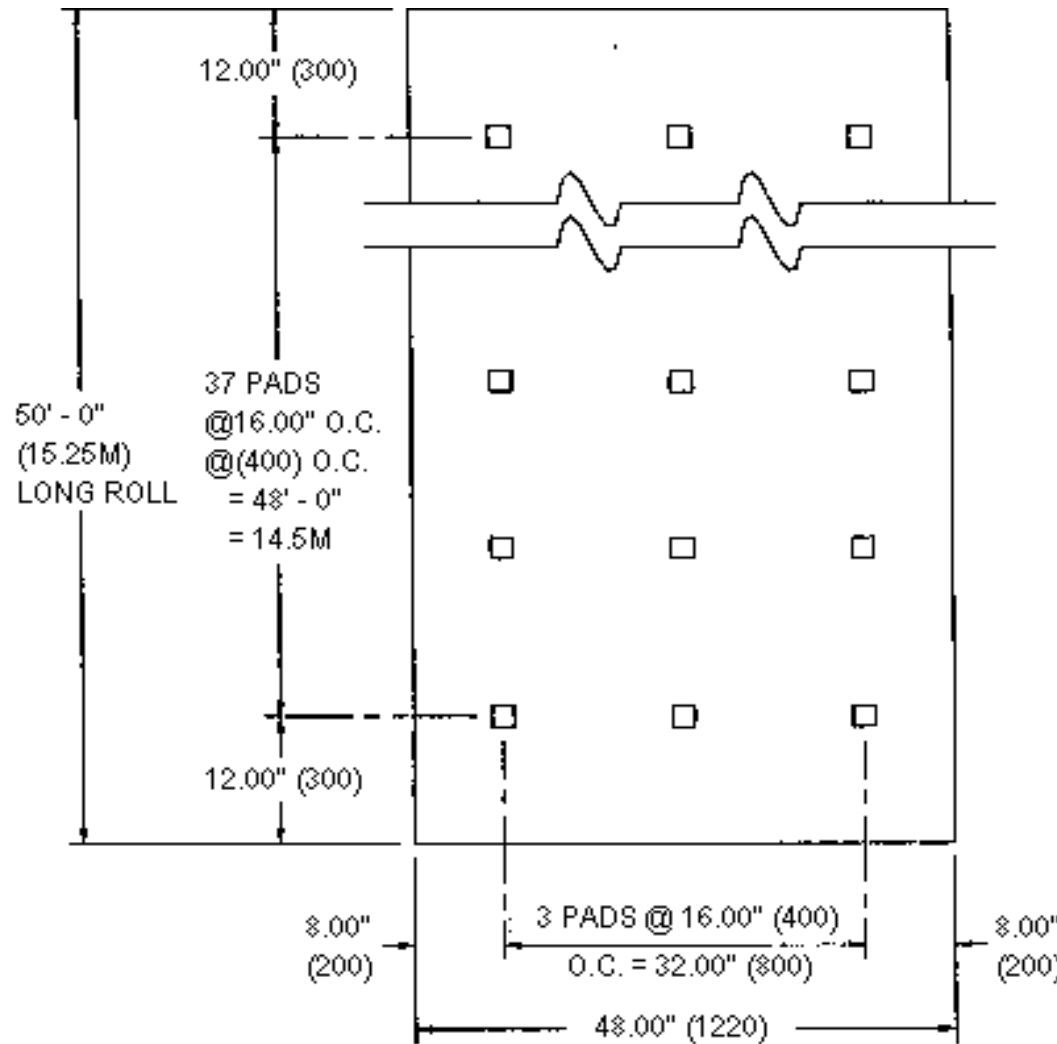


VIBRATION MANAGEMENT CORPORATION

3532-A EAST TC JESTER , BROOKWOOD BUSINESS PARK , HOUSTON , TEXAS 77018 , U.S.A

INTERNET ADDRESS: www.vimco.biz



NOTE:
IF INSTALLED END TO END, CUT OR OVERLAP FIBERGLASS TO MAINTAIN 16.00" (400) O.C. PAD SPACING

Notes / Remarks :

Project :
Client :
Consultant :
Representative :

Title : **VFRM-16 Rollout Isolation Material with VFHP Pads at 16" center to center spacing**

Drawing no. **S-2600.01**

Rev. 1