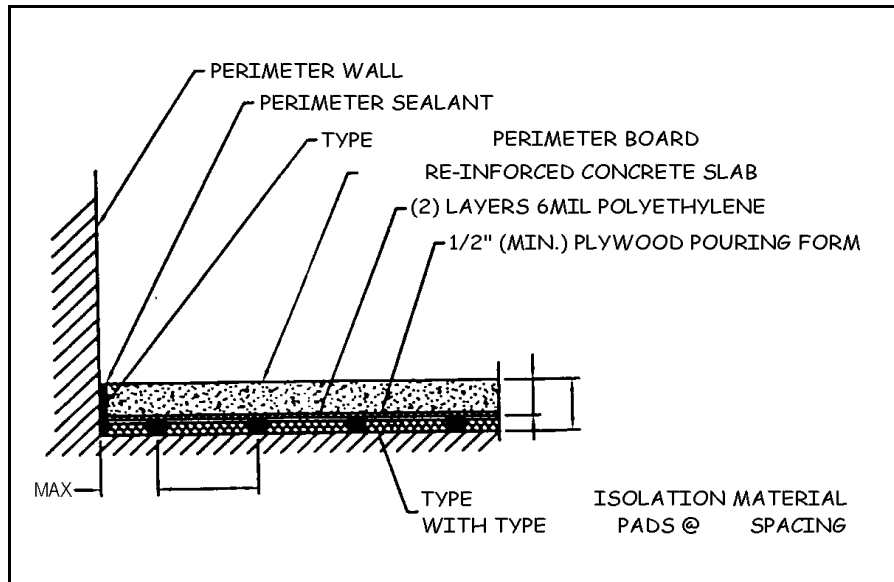


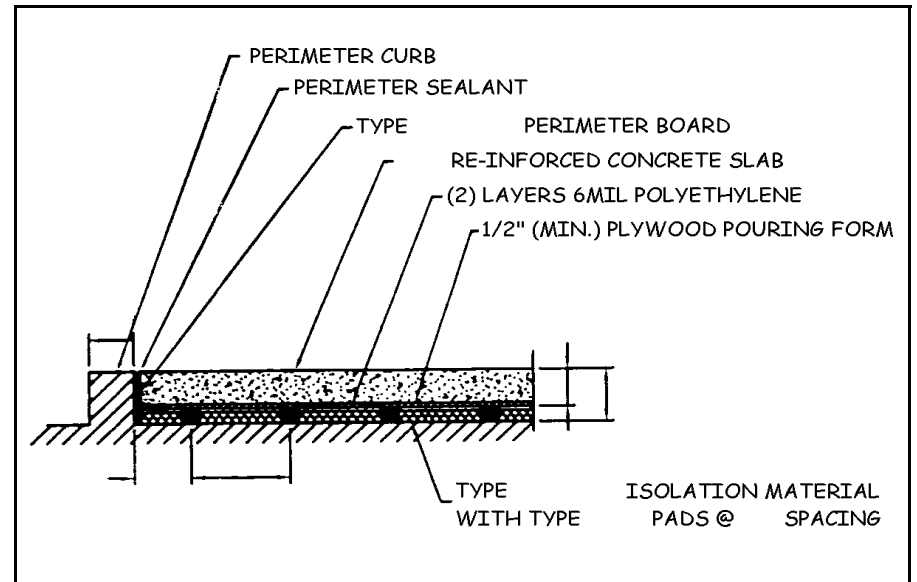
VIBRATION MANAGEMENT CORPORATION

3532-A EAST TC JESTER , BROOKWOOD BUSINESS PARK , HOUSTON , TEXAS 77018 , U.S.A

INTERNET ADDRESS: www.vimco.biz



SECTION @ WALL



SECTION @ CURB

Notes / Remarks :	Project :		Title : Rollout Floor System Section Details	Drawing no. S-2600.93
	Client :			
	Consultant :			
	Representative :			
			Rev. 0	